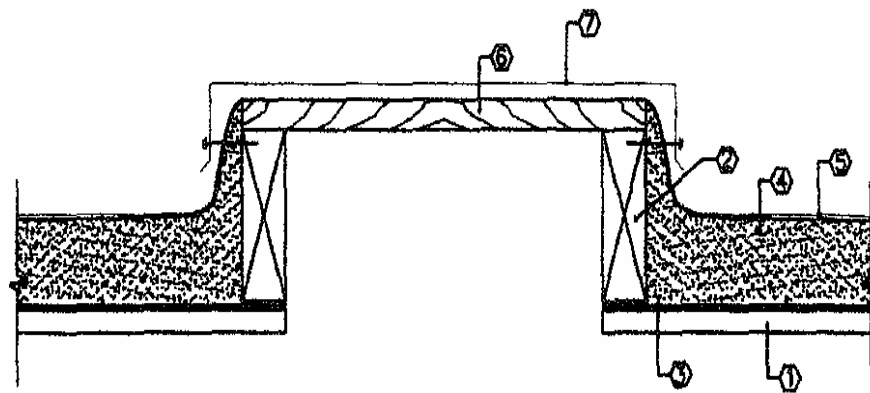


DETAIL DRAWING INDEX

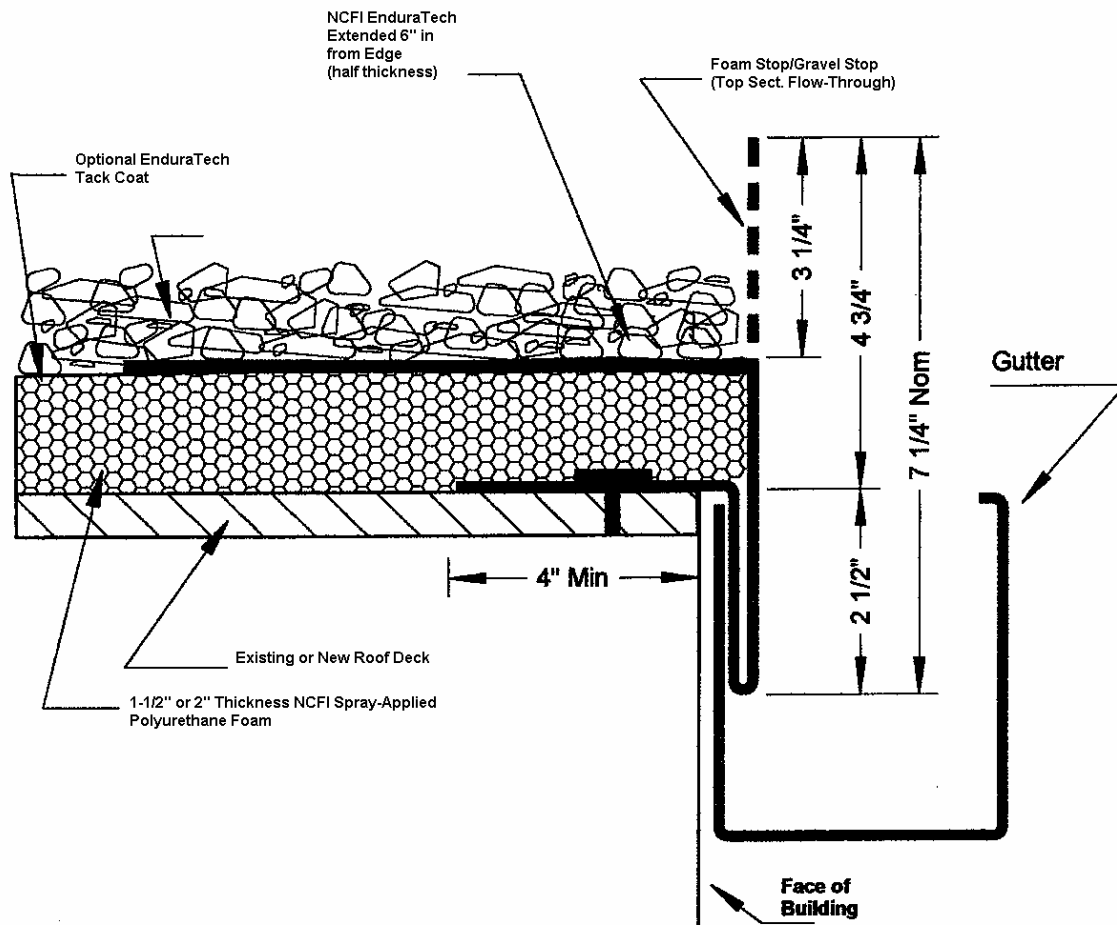
- | | |
|--|--------------------------------------|
| 1 – A/C Unit Curb | 17 – Parapet Wall w/ Counterflashing |
| 2 – Draining Edge Detail | 18 – Pipe Penetration |
| 3 – Edge & Corner Coating Detail | 19 – Plumbing Vent |
| 4 – Edge Metal w/ Flashing & Raised Edge | 20 – Raised Curb Detail |
| 5 – Equipment Base Flashing | 21 – Roof Deck |
| 6 – Expansion Joint w/ Cover | 22 – Roof Drain |
| 7 – Flashing at Parapet | 23 – Roof Expansion Joint |
| 8 – Fluted Metal Decking | 24 – Roof Hatch |
| 9 – Foam Roof & Parapet Wall | 25 – Scupper Detail |
| 10 – Mechanical Curb | 26 – Skylight Curb (Steel Framing) |
| 11 – Metal Edge Detail | 27 – Skylight Curb (Wood Framing) |
| 12 – Metal Parapet Cap | 28 – Spray Foam Tie-In |
| 13 – Moisture Relief Vent | 29 – Standard Edge w/ Metal Flashing |
| 14 – Non-Draining Edge Detail | 30 – Underlayment Fastener Pattern |
| 15 – Overflow Flashing | 31 – Flashing at Parapet |
| 16 – Parapet Wall w/ Coping | |

A/C UNIT CURB

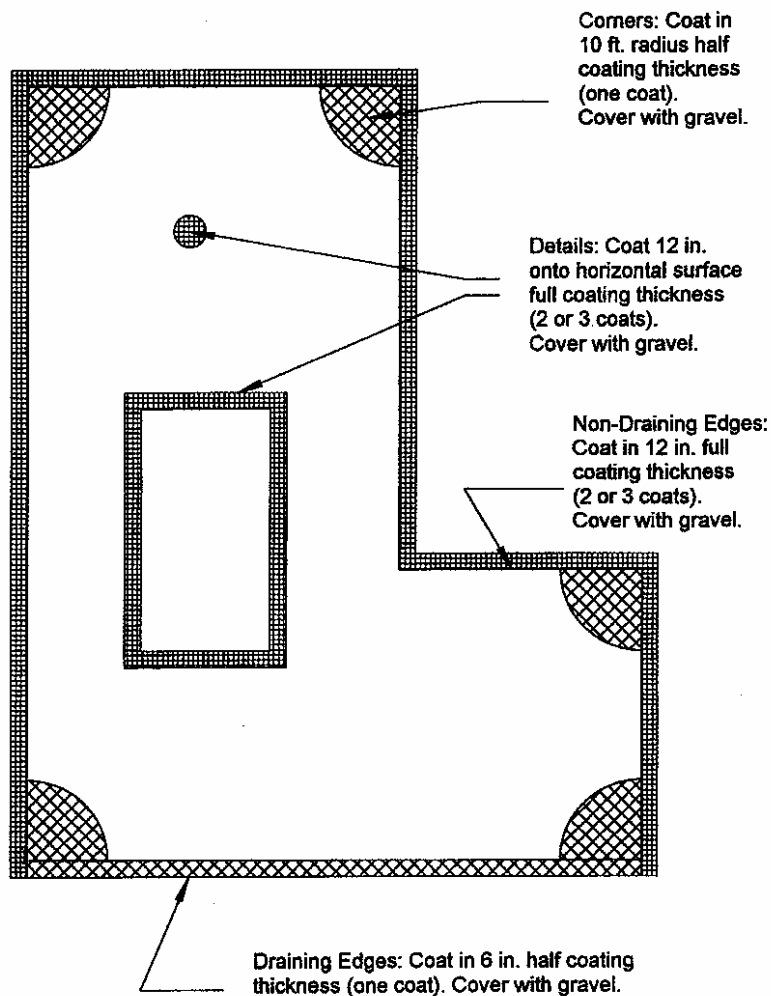


1. SUBSTRATE
2. FULL PLATFORM MIN. 2 x 8 CONSTRUCTION
3. EXISTING ROOF
4. NCFI SPRAYED POLYURETHANE FOAM
5. ENDURATECH COATING SYSTEM
6. MINIMUM $\frac{3}{4}$ " PLYWOOD PLATFORM TOP
7. METAL PAN FLASHING FASTENED WITH SHEET METAL SCREWS AND NEOPRENE WASHERS

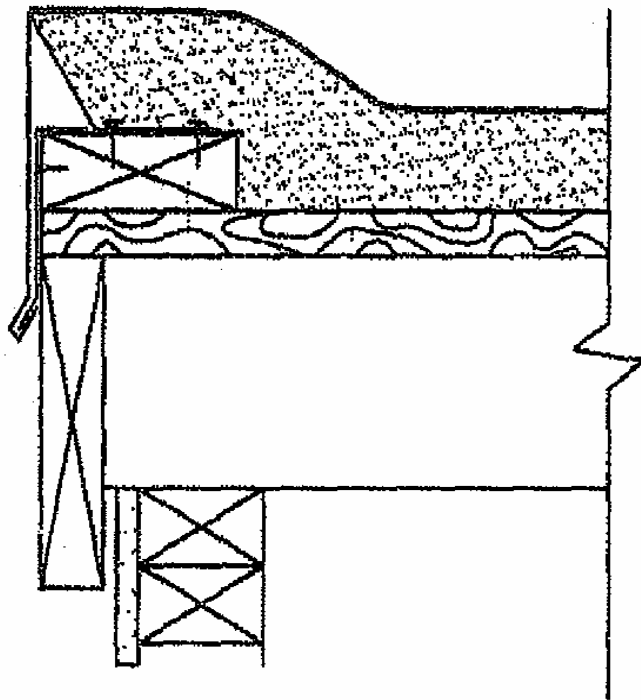
DRAINING EDGE DETAIL



EDGE & CORNER COATING DETAIL

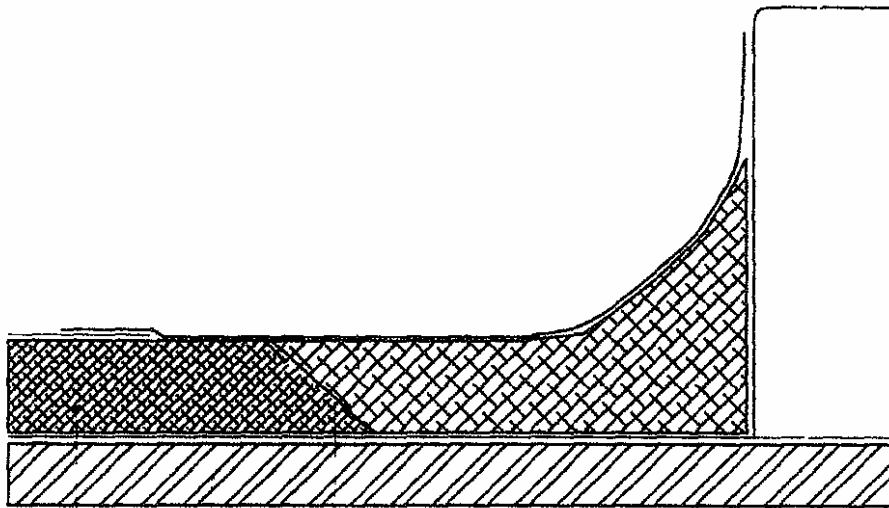


EDGE METAL WITH FLASHING & RAISED EDGE



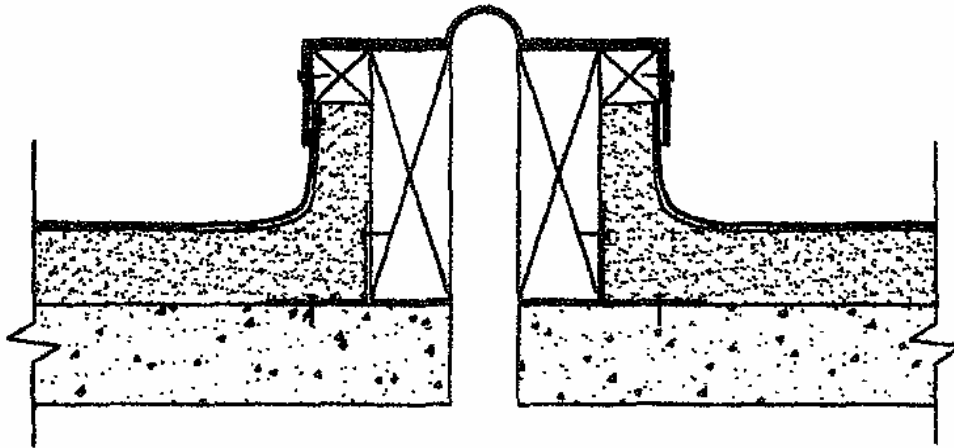
1. SUBSTRATE
2. FASCIA
3. RAISED EDGE NAILER (DESIGN HEIGHT VARIES)
4. 24 GA. GALVANIZED EDGE METAL ATTACHED 4" ON CENTER
5. NCFI SPRAYED POLYURETHANE FOAM
6. ENDURATECH COATING SYSTEM

EQUIPMENT BASE FLASHING



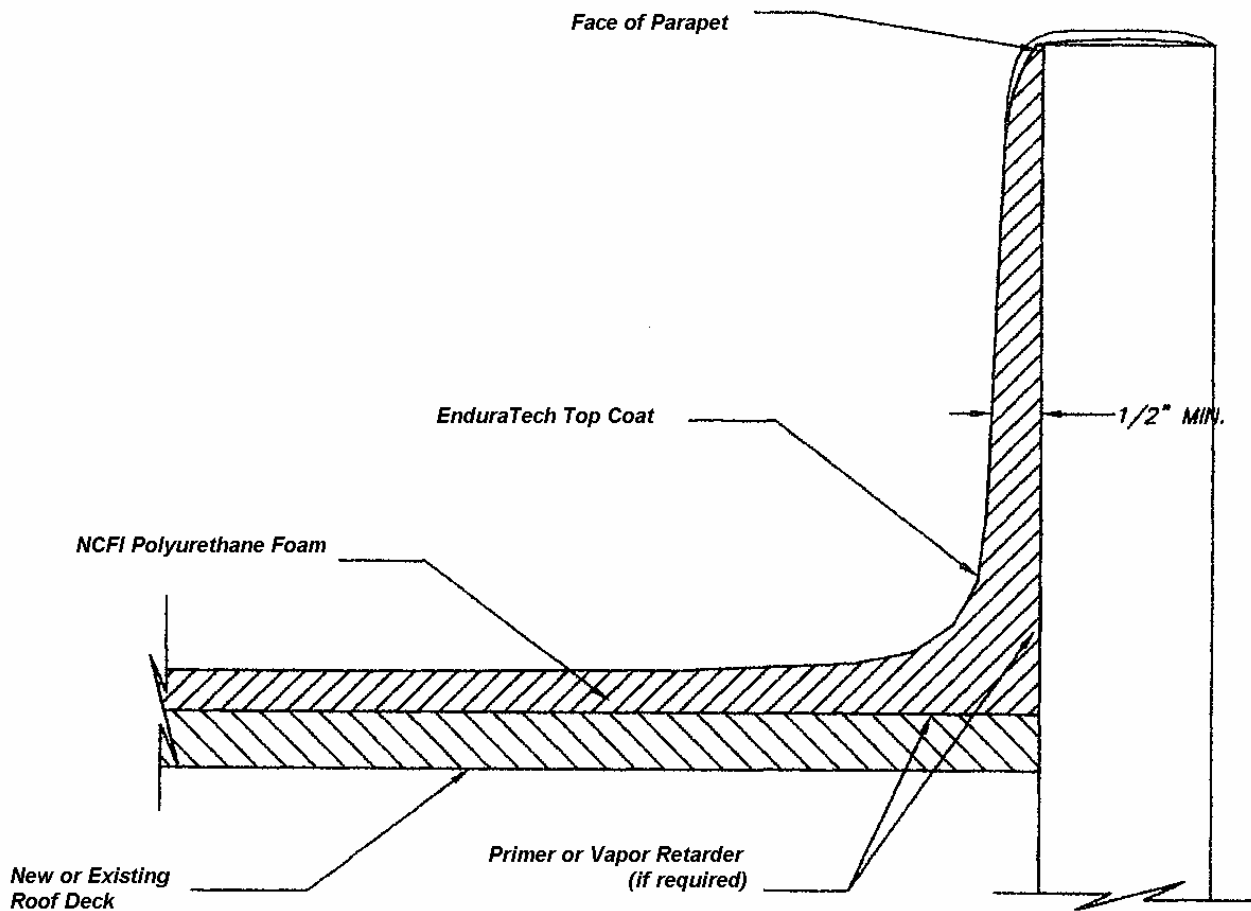
1. REMOVE ALL COATING 1" AROUND CUT-OUT, MASK EXISTING FOAM TO PROTECT FROM OVERSPRAY. LAP NEW COATING ONTO OLD COATING MIN 2".
2. NCFI SPRAYED POLYURETHANE FOAM
3. ENDURATECH COATING SYSTEM
4. EQUIPMENT CURB BY OTHER
5. EXISTING FOAM ROOFING SYSTEM
6. ROOF DECK
7. TAPER 4" TO 6"
8. OLD BUR

EXPANSION JOINT WITH
PREMANUFACTURED COVER

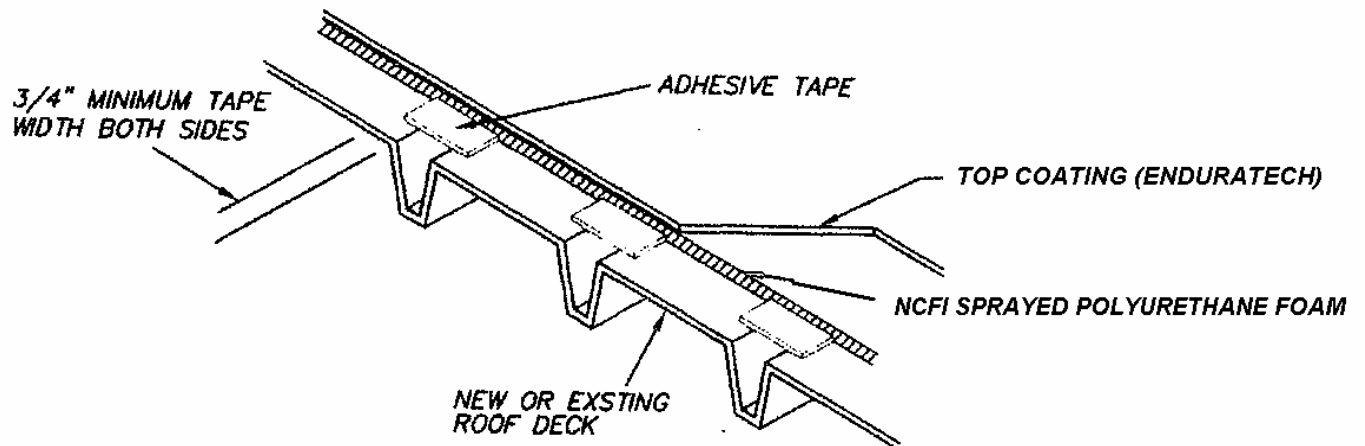


1. SUBSTRATE
2. NCFI SPRAYED POLYURETHANE FOAM
3. ENDURATECH COATING SYSTEM
4. MINIMUM 2" x 10" CURB
5. ANGLE BRACKET SECURES CURB TO SUBSTRATE WITH MECHANICAL FASTENERS
6. RUBBER EXPANSION JOINT COVER EXPAND-O-FLASH (MANVILLE OR EQUAL)

FLASHING AT PARAPET

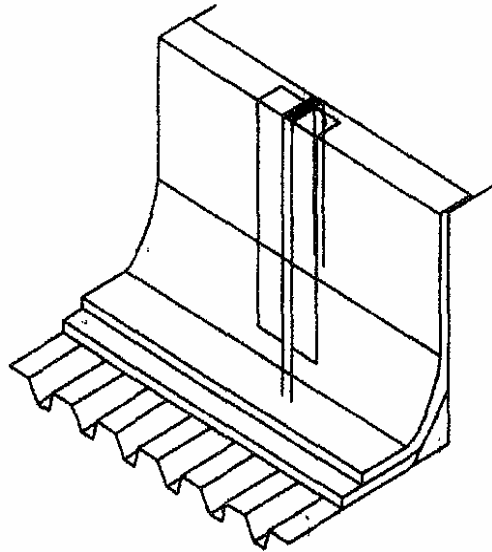


FLUTED METAL DECKING



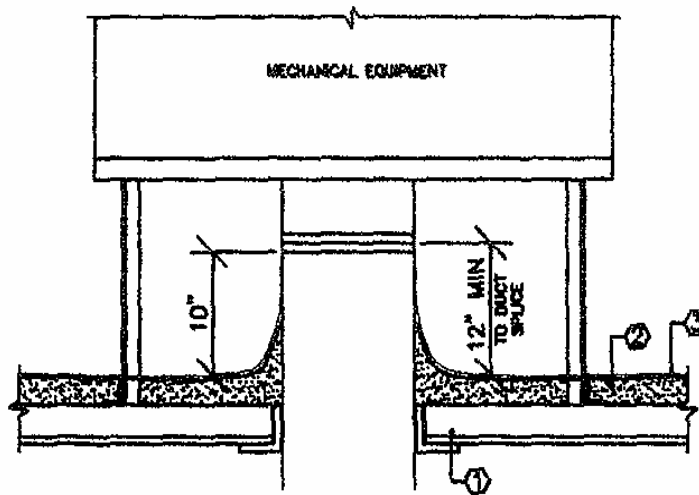
* TAPE WIDTH MUST EXCEED FLUTE WIDTH BY 1 1/2"

FOAM ROOF & PARAPET WALL



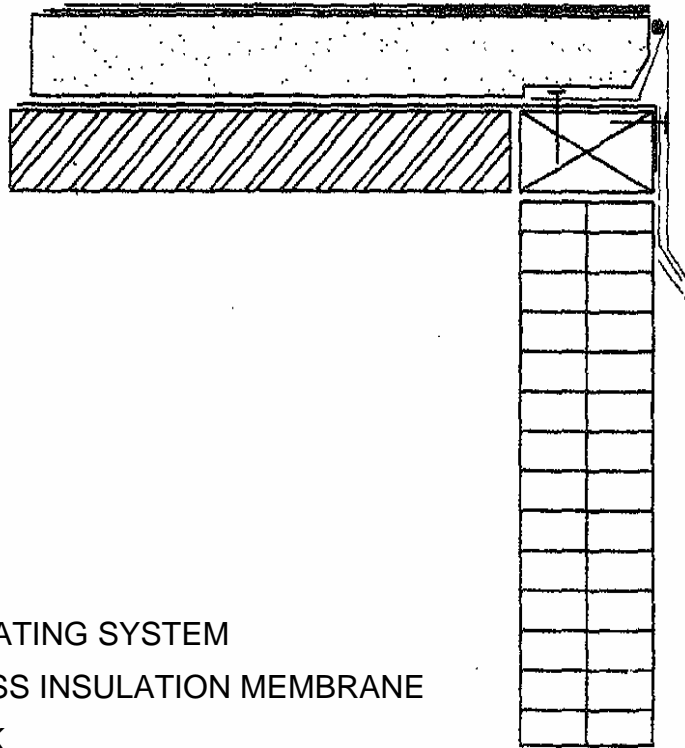
1. SUBSTRATE (METAL DECKING)
2. 4" CANT STRIP
3. $\frac{5}{8}$ " GYPSUM BOARD, IF REQUIRED FOR FIRE RATING
4. NCFI SPRAYED POLYURETHANE FOAM WITH ENDURATECH TOP COAT
5. 4" WIDE STRIP OF POLYESTER TAPE PRIMED AND COATED WITH 20 MILS OF WATERPROOFING COATING. TERMINATE 6" INTO FOAM ROOF SYSTEM. HOLD BACK 1" FROM EXTERIOR FACE OF PARAPET.
6. CONTROL DECK

MECHANICAL CURB



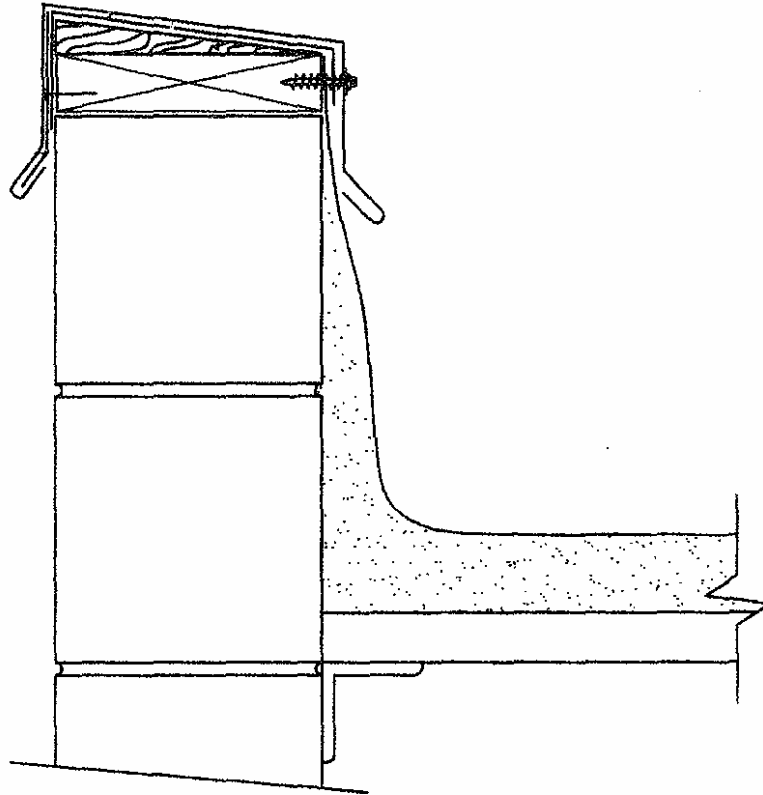
1. SUBSTRATE
2. ENDURATECH COATING SYSTEM
3. NCFI SPRAYED POLYURETHANE FOAM

METAL EDGE DETAIL



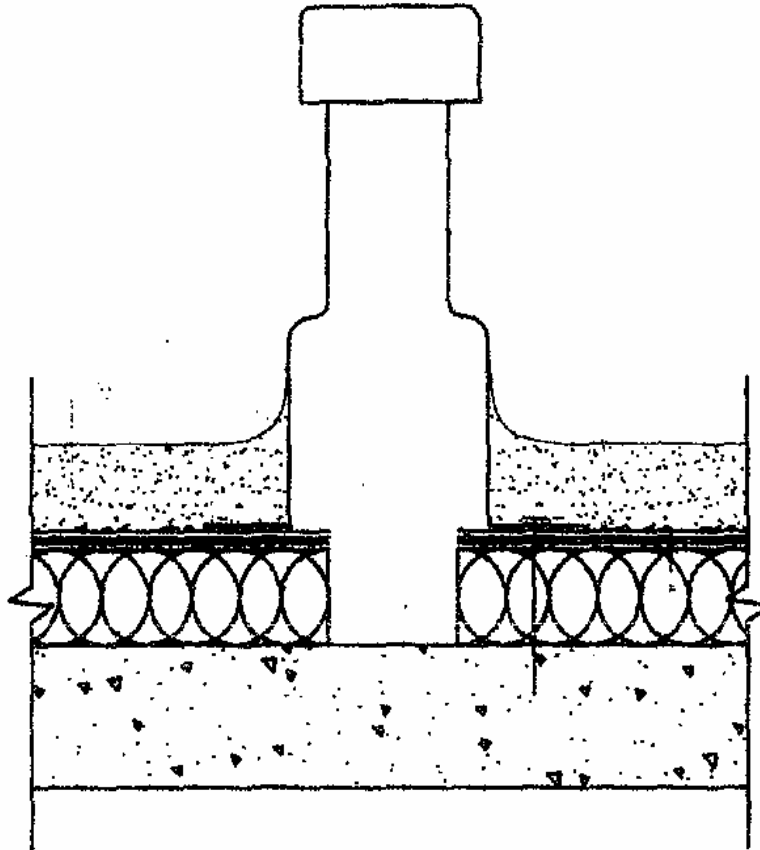
1. ENDURATECH COATING SYSTEM
2. FOAMED SEAMLESS INSULATION MEMBRANE
3. APPROVED CAULK
4. FASTEN 3" O.C. STAGGERED
5. P.T. WOOD NAILER
6. ROOF DECK
7. METAL FOAM STOP
8. CONTINUOUS METAL CLEAT
9. WALL

METAL PARAPET CAP



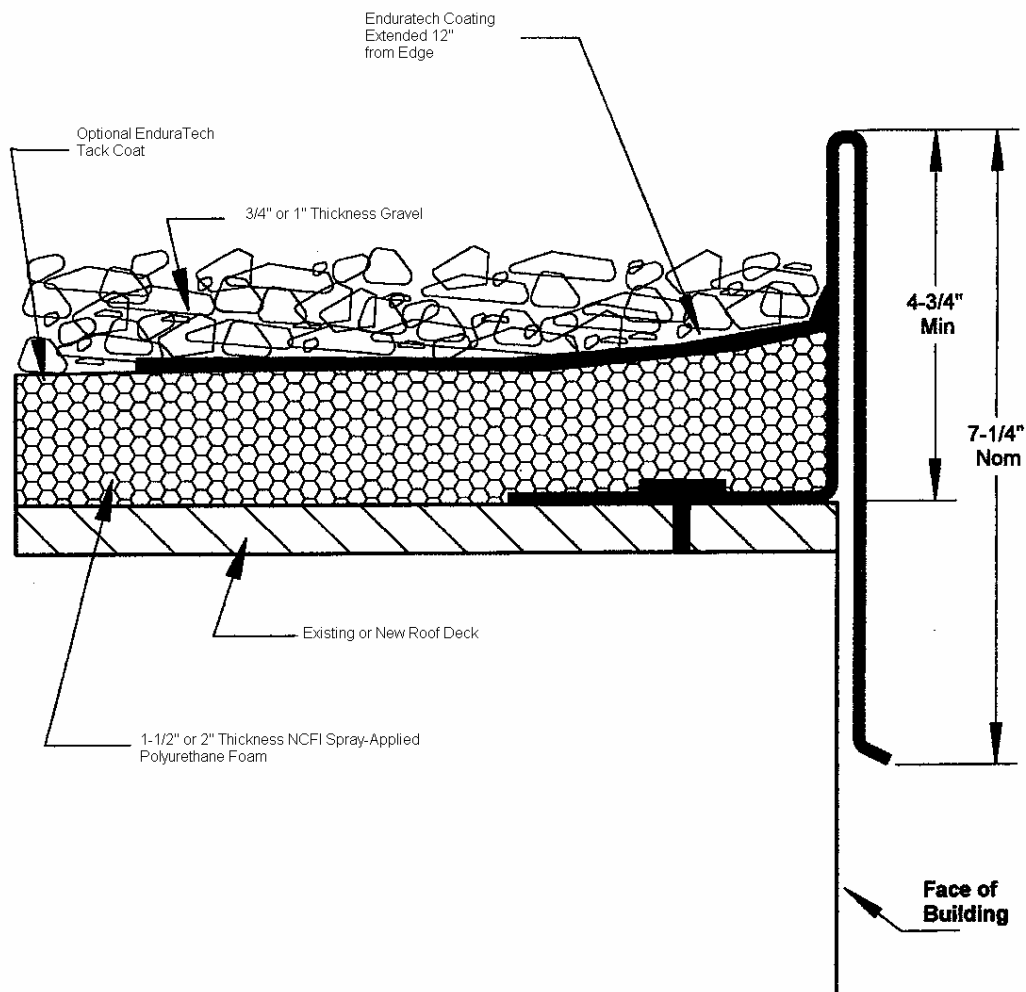
1. SHEET METAL PARAPET
2. CONTINUOUS SHEET MEMBRANE CLOSURE
3. CONTINUOUS TAPERED WOOD SHIM (E.G. BEVELED CEDAR SIDING)
4. HIGH-DOMED, CAPPED GASKETED FASTENERS (APPROX. 18" [457mm] O.C. DEPENDING UPON WIND ZONE AND LOCAL CONDITIONS)
5. CONTINUOUS CLEAT
6. ENDURATECH COATING SYSTEM
7. NCFI SPRAYED POLYURETHANE FOAM
8. ROOF DECK

MOISTURE RELIEF VENT

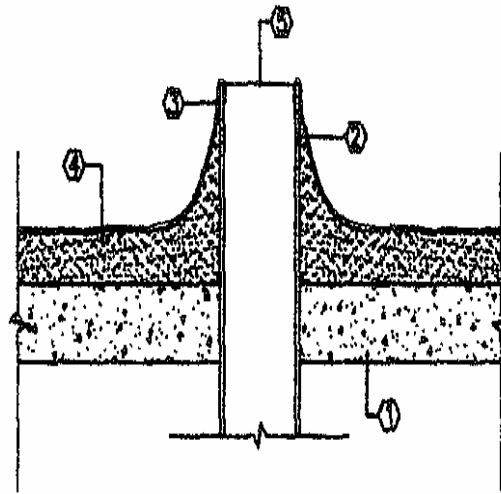


1. Substrate
2. Rigid Board Insulation
3. Built-up Roof Gravel Surfaced
4. Gravel Surface Removed Minimum 4" beyond Flange of Vent
5. One Way Moisture Relief Vent "Ballard Type"
6. Removed Insulation Board and Built-up Roof Down to Substrate
7. Cement Vent to BUR with Mastic or Mechanically Attach to Substrate
8. NCFI Sprayed Polyurethane Foam
9. EnduraTech Coating System

NON-DRAINING EDGE DETAIL

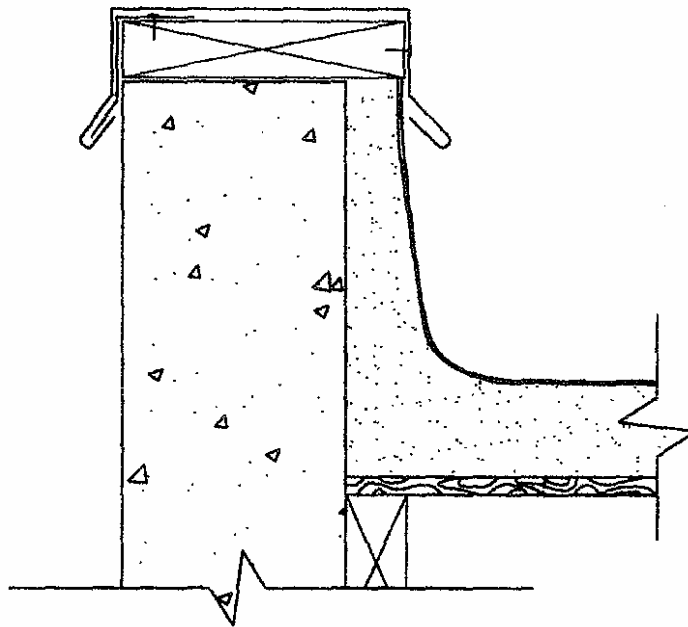


OVERFLOW FLASHING



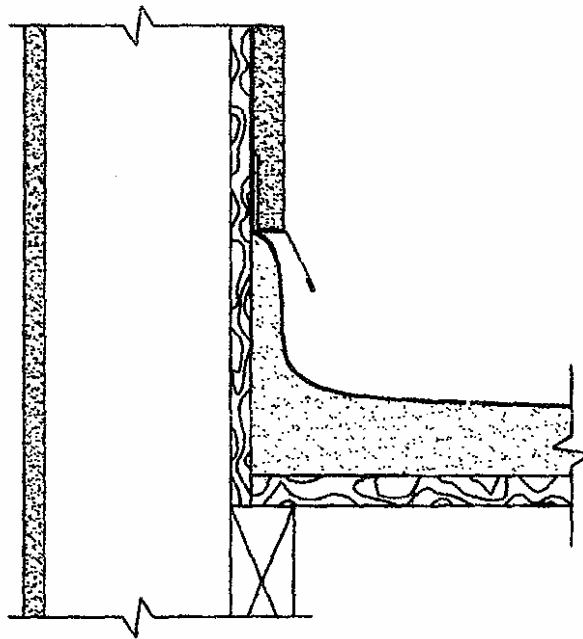
1. SUBSTRATE
2. ROOF DRAIN OVERFLOW PIPE
3. ENDURATECH COATING (COATING MAY EXTEND INSIDE PIPE)
4. NCFI SPRAYED POLYURETHANE FOAM
5. SCREEN / GUARD

PARAPET WALL WITH COPING



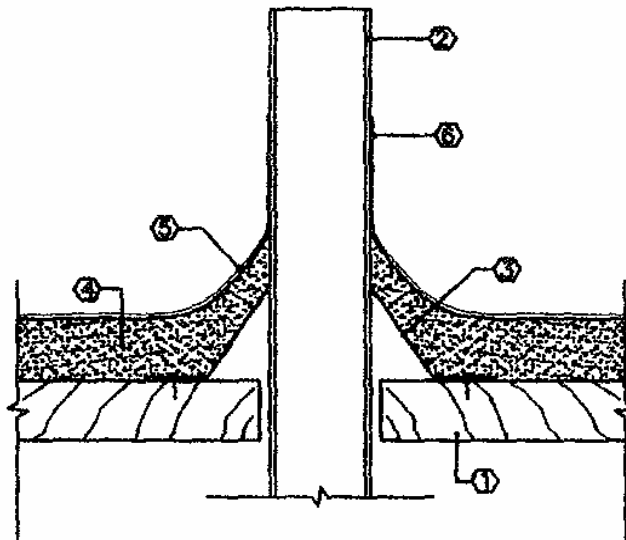
1. SUBSTRATE
2. NCFI SPRAYED POLYURETHANE FOAM
3. ENDURATECH COATING SYSTEM
4. TREATED WOOD NAILER MECHANICALLY ATTACHED TO TOP OF PARAPET
5. 22 GA. GALVANIZED CLEAT MECHANICALLY ATTACHED TO WOOD NAILER
6. 24 GA. GALVANIZED STANDING SEAM COPING
7. FASTENER WITH NEOPRENE / LEAD GASKET

PARAPET WALL WITH COUNTERFLASHING



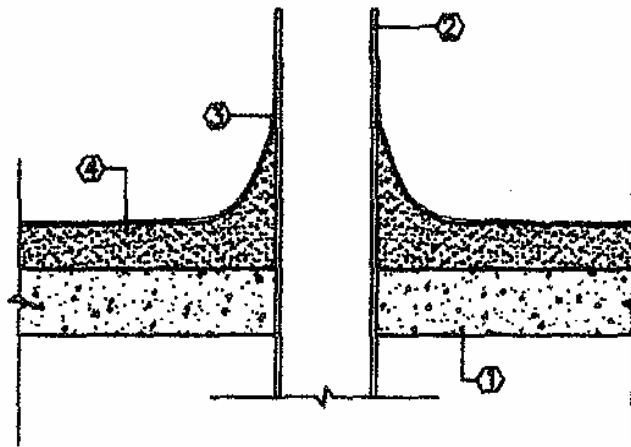
1. SUBSTRATE
2. NCFI SPRAYED POLYURETHANE FOAM
3. ENDURATECH COATING SYSTEM
4. GALVANIZED STUCCO 'Z' FLASHING
5. UNDERLAYMENT
6. STUCCO

PIPE PENETRATION



1. SUBSTRATE
2. PIPES (PRIME BEFORE APPLYING SPI)
3. 24 GA. GALVANIZED STANDARD G.I. FLASHING
4. NCFI SPRAYED POLYURETHANE FOAM
5. ENDURATECH COATING SYSTEM
6. ENDURATECH COATING TO EXTEND A MINIMUM 2" BEYOND INSULATION TERMINATION

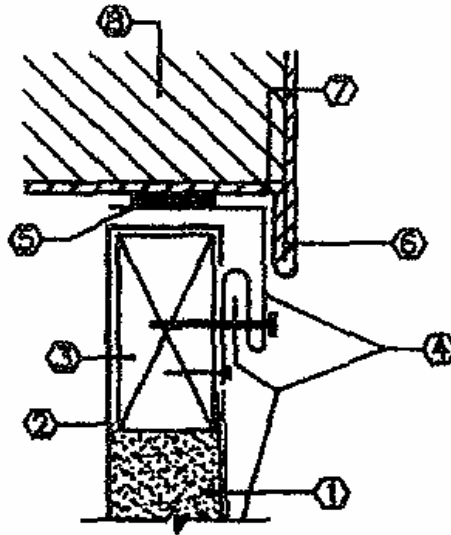
PLUMBING VENT



1. SUBSTRATE
2. DECK SUPPORTED VENT STACK (PRIME BEFORE APPLYING SPI)
3. ENDURATECH COATING SYSTEM
4. NCFI SPRAYED POLYURETHANE FOAM

NOTE: VENT STACKS AND OTHER PIPES SHOULD HAVE A MINIMUM OF 12" OF CLEARANCE ON ALL SIDES FROM WALLS, CURBS, AND OTHER PROJECTIONS TO FACILITATE PROPER FLASHING

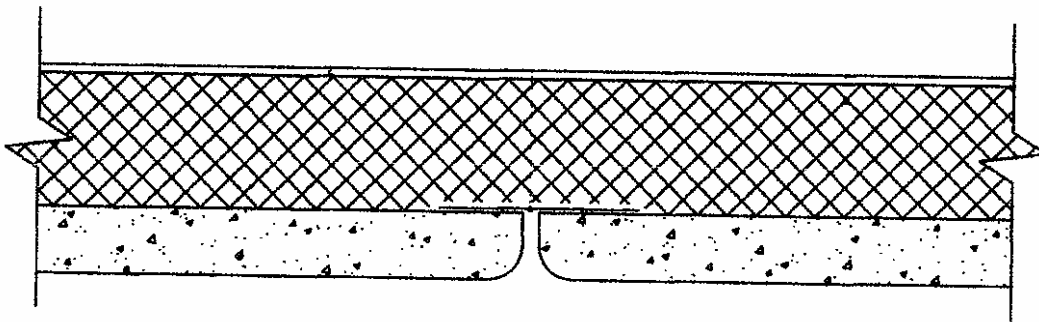
RAISED CURB DETAIL



1. NCFI SPRAYED POLYURETHANE FOAM
2. PREFABRICATED METAL CURB
3. OPTIONAL: WOOD NAILER
4. OPTIONAL: SHEET METAL RECEIVER AND REMOVABLE COUNTERFLASHING
5. SEALING MATERIAL MUST BE CONTINUOUS FULL PERIMETER
6. 1" (25mm) MINIMUM BELOW TOP OF CURB
7. BASE OF UNIT EXTENDS ½" (13mm) MINIMUM BEYOND TOP OF CURB
8. MECHANICAL UNIT, HOOD, ETC.

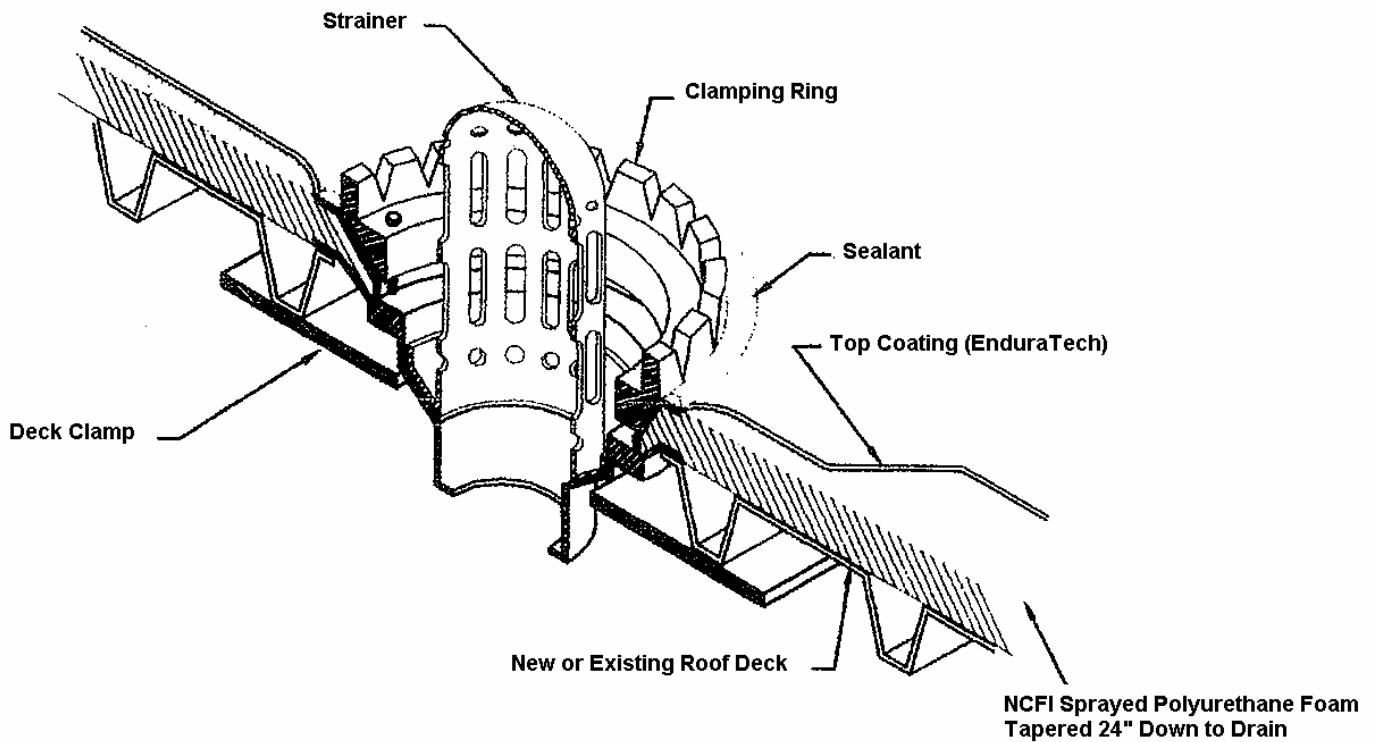
- THE CURB, WOOD NAILER, AND SEAL STRIP ARE TO BE SUPPLIED BY THE CURB MANUFACTURER
- ATTACH NAILER TO DECK WITH SUITABLE FASTENERS
- WHEN POSSIBLE, THE MECHANICAL UNITS SHOULD NOT BE SET UNTIL THE ROOF SYSTEM HAS BEEN INSTALLED

ROOF DECK

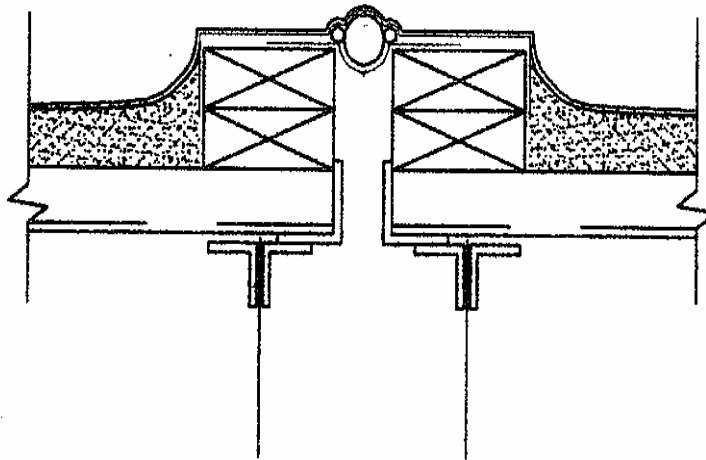


1. CONCRETE DOUBLE TEE
2. CONTINUOUS 6" WIDE SINGLE PLY STRIP, 5,000 W.R. GRACE OR EQUAL
3. R-30, 4" MINIMUM NCFI POLYURETHANE FOAM
4. ENDURATECH COATING SYSTEM

ROOF DRAIN

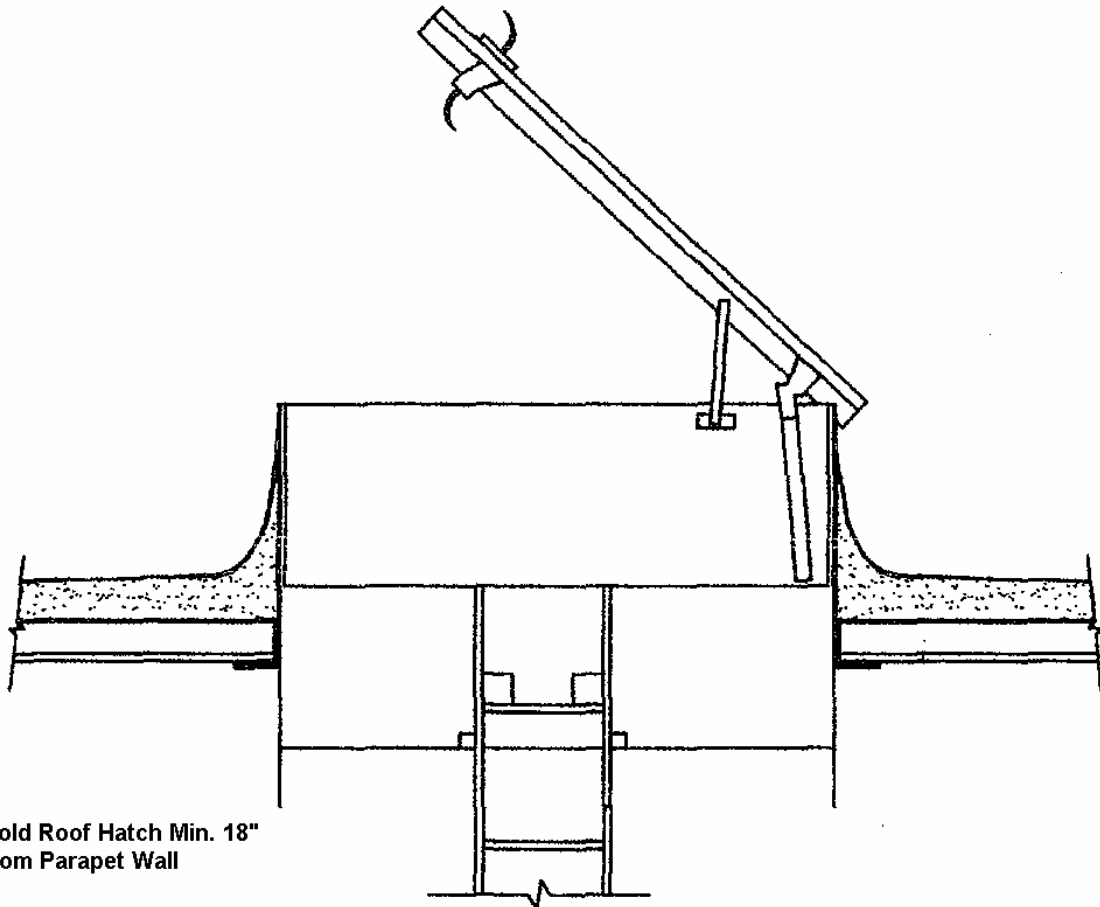


ROOF EXPANSION JOINT



1. SUBSTRATE
2. NCFI SPRAYED POLYURETHANE FOAM
3. ENDURATECH COATING SYSTEM
4. POLYESTER FABRIC
5. JOISTS
6. 3" BACKER ROD WITH 1" BACKER ROD EACH SIDE

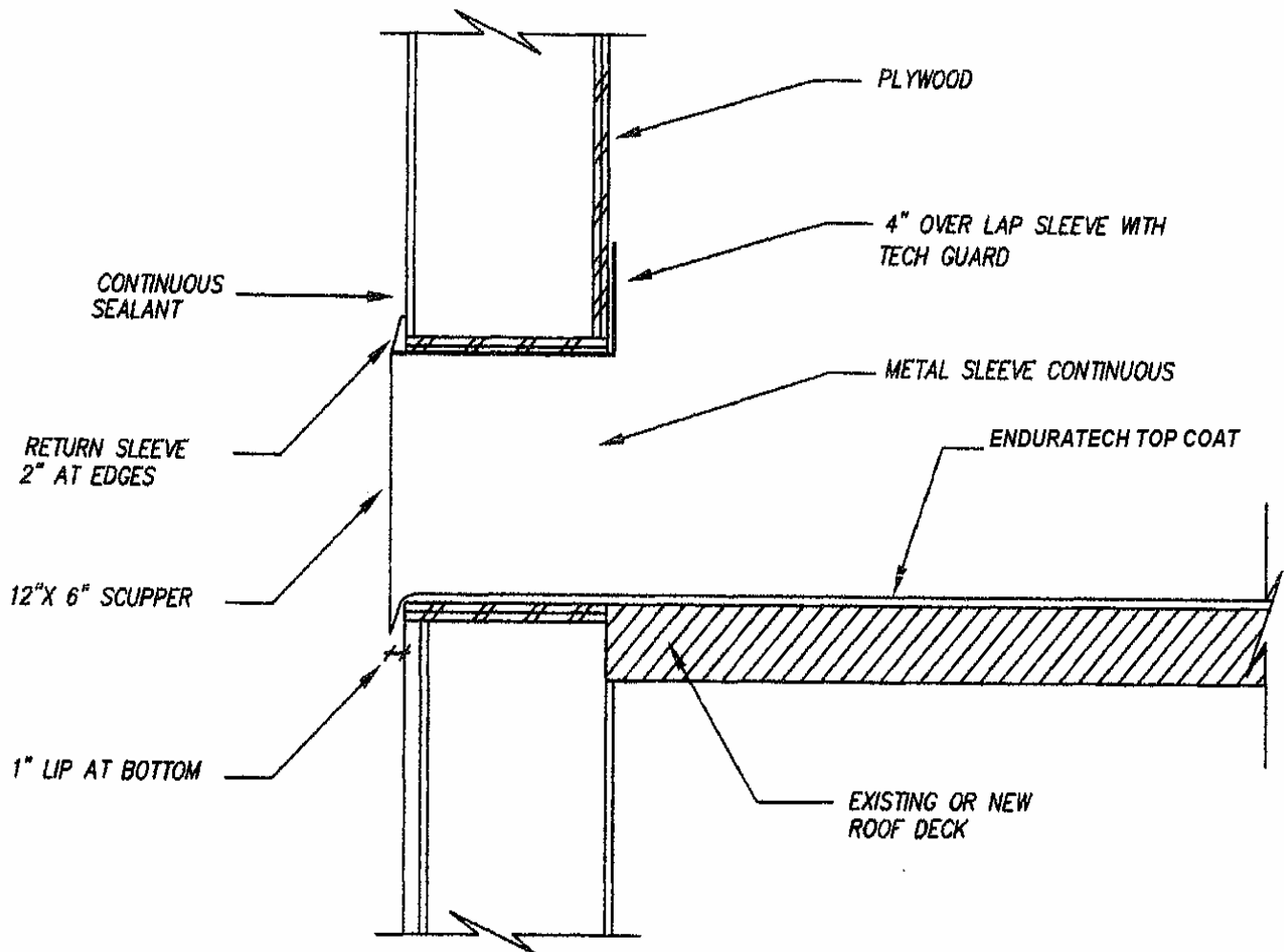
ROOF HATCH



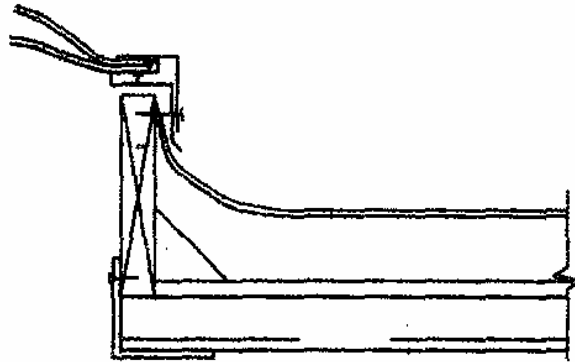
Hold Roof Hatch Min. 18"
from Parapet Wall

1. Roof hatch provide padlock (I.C.B.O.)
2. NCFI Sprayed Polyurethane Foam
3. EnduraTech Coating
4. See structural drawings for roof openings
5. STL ships ladder

SCUPPER DETAIL

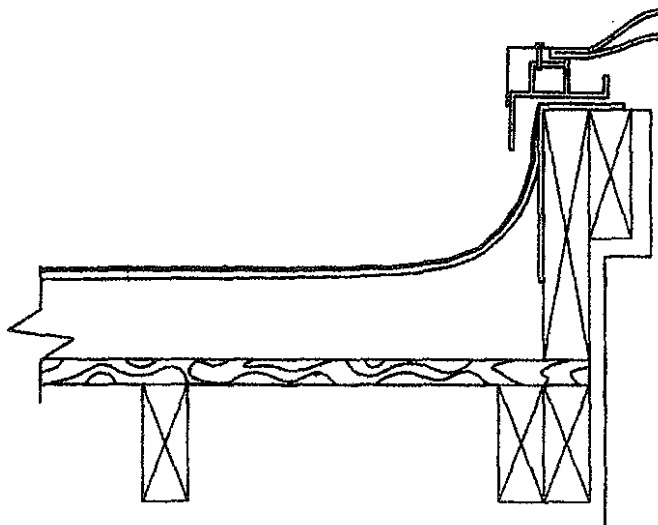


SKYLIGHT CURB (STEEL FRAMING)



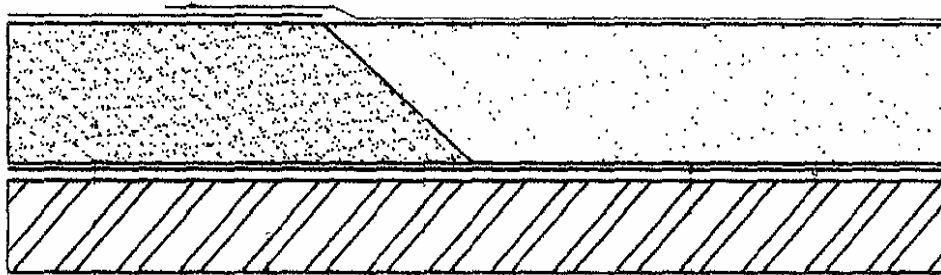
1. SUBSTRATE
2. SKYLIGHT LENS AND FRAME ASSEMBLY ATTACHED CURB
3. 2 x 12 WD CURB
4. NCFI SPRAYED POLYURETHANE FOAM
5. ENDURATECH COATING SYSTEM
6. STL PERIMETER ANGLE PER STRUCTURAL
7. 4" CANT STRIP

SKYLIGHT CURB (WOOD FRAMING)



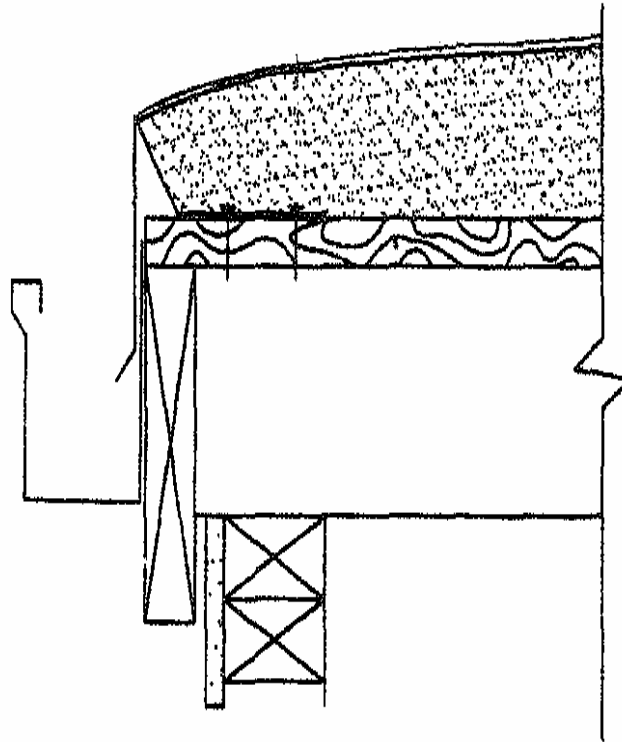
1. SUBSTRATE
2. DOUBLE DOME CURB MOUNT SKYLIGHT ASSEMBLY
3. INTERIOR DRYWALL
4. NCFI SPRAYED POLYURETHANE FOAM
5. ENDURATECH COATING SYSTEM
6. BITUTHENE 5000 SELF ADHERING WATERPROOF 60 MIL SHEETING OVER WOOD CURB SIDES AND TOP

SPRAY FOAM TIE-IN



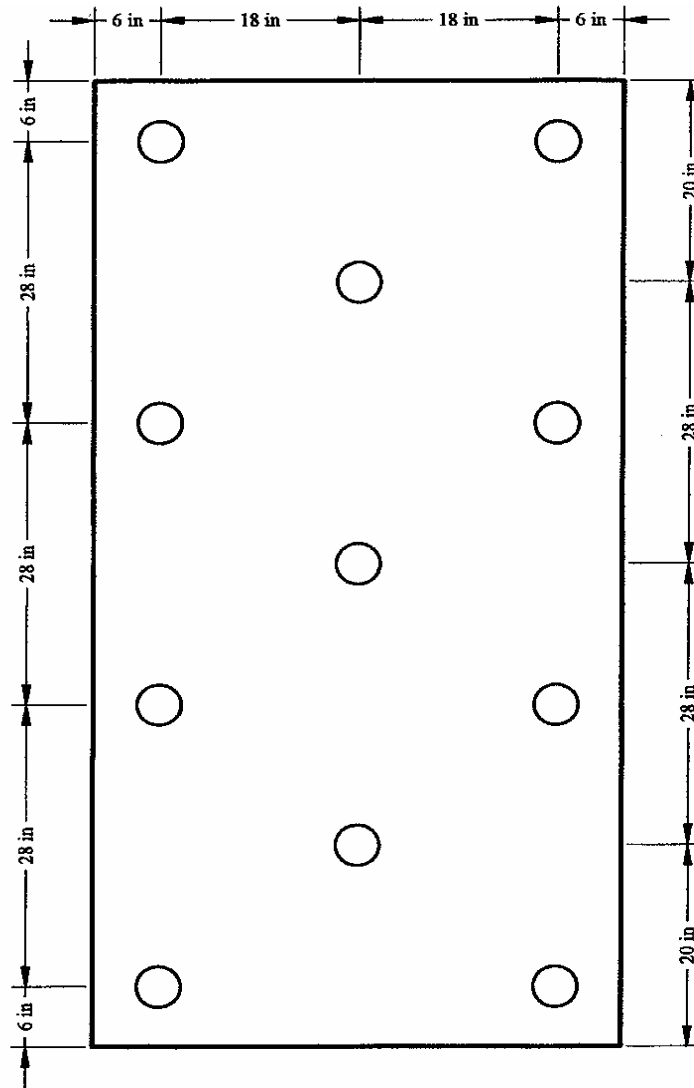
1. MASK EXISTING FOAM TO PROTECT FOAM. OVERSPRAY LAP NEW COATING ONTO OLD COATING MIN. 2" PRIME AS REQUIRED
2. NCFI SPRAYED POLYURETHANE FOAM
3. ENDURATECH COATING SYSTEM
4. OLD SUBSTRATE
5. EXISTING FOAM ROOFING SYSTEM
6. ROOF DECK
7. TAPER 4" TO 6"
8. REMOVED ALL WET OR LOOSE FOAM TO SUBSTRATE

STANDARD EDGE WITH METAL FLASHING



1. SUBSTRATE
2. FASCIA
3. 24 GA. GALVANIZED EDGE METAL ATTACHED 4 INCH ON CENTER
4. MINIMUM 22 GA. GALVANIZED GUTTER GRADED (OPTIONAL)
5. NCFI SPRAYED POLYURETHANE FOAM
6. ENDURATECH COATING SYSTEM

UNDERLAYMENT FASTENER PATTERN



(DIMENSIONS IN INCHES)

FLASHING AT PARAPET

